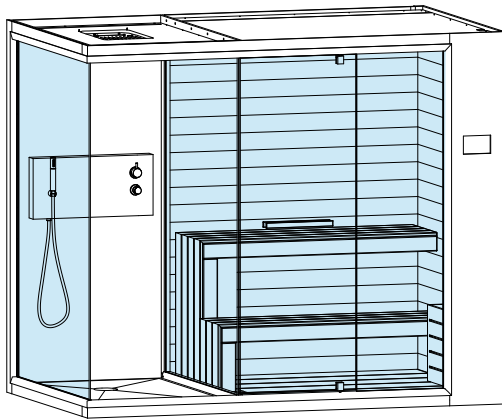


ETHOS 252x150 H 215

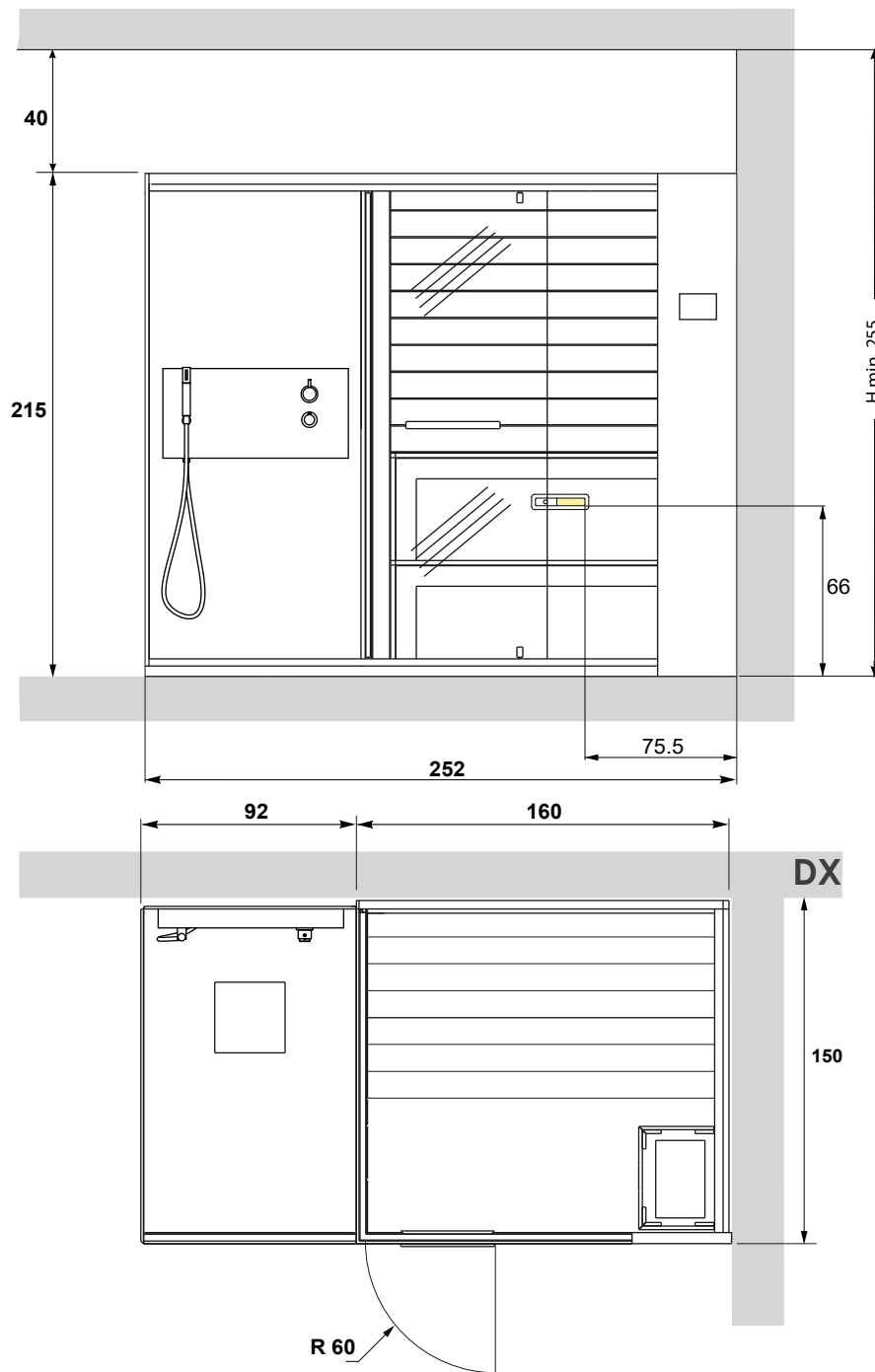
SAUNA+SHOWER

RT VERSION

SAUNAVITA®
calore naturale



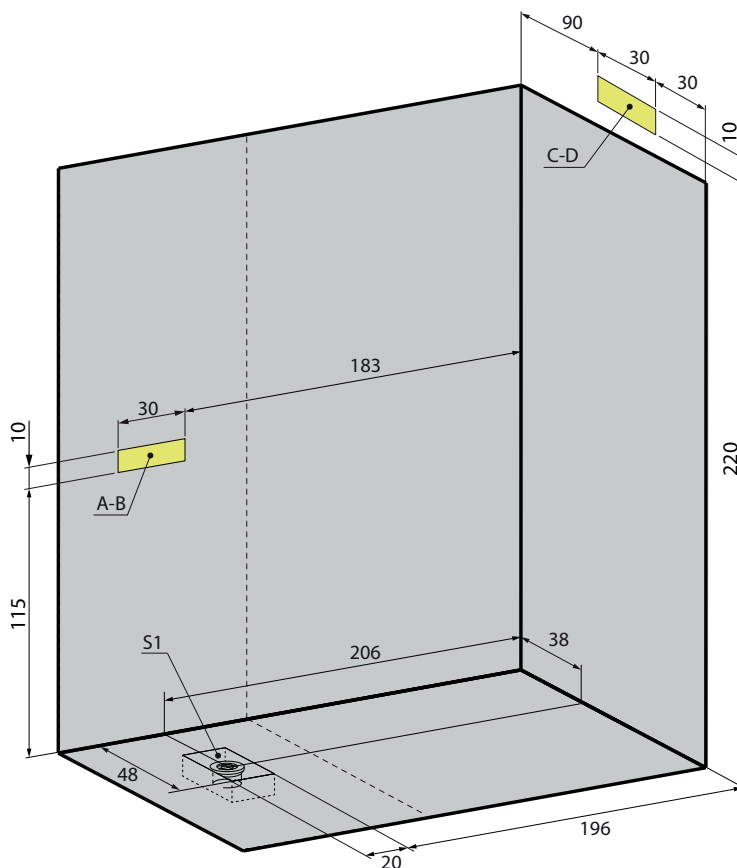
The overall dimension values are expressed in centimetres.
The actual dimensions may vary by ± 1 cm.



The minimum height of the wall tiles without protrusions is equal to the height of the stall.
On the walls there cannot be any greca or quarter round decorative patterns.

Electrical and plumbing provisions

RT VERSIO

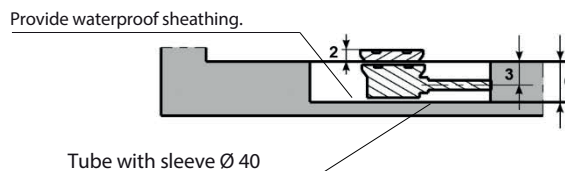


Operating pressure:
 - MIN 150 kPa (1,5 bar)
 - MAX 300 kPa (3,0 bar)
Hot water temperature:
 - MAX 60°C (140°F)

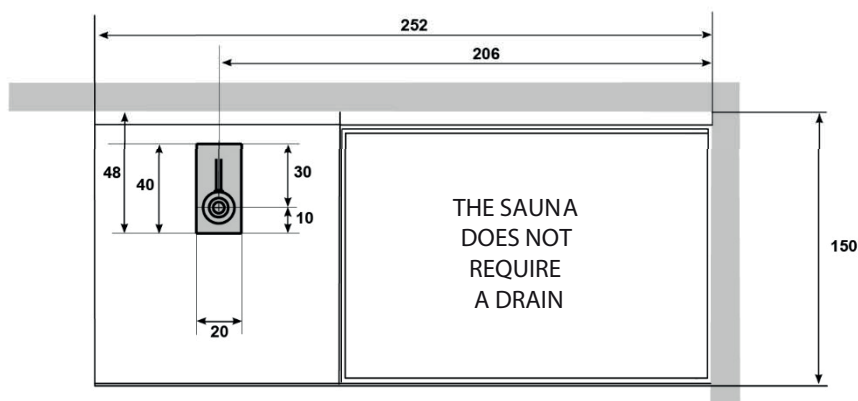
KEY

- A-B- Water wall connections.
- A" - 1/2" F cold water wall connection (1,5-3,0 BAR).
- B" - 1/2" F hot water wall connection (1,5-3,0 BAR).
- C-D- Electrical tube outlet.
- C" - Power cable outlet (SINGLE PHASE OR THREE PHASE).
- D" - Equipotential cable outlet.
- S1 - Shower drain Ø 40mm.

If the water pressure is higher than indicated, install pressure reducers.
 Provide shut-off cocks out of the dimensions of the product for hot and cold water closing.



ELECTRICAL CHARACTERISTICS	RESISTANCES	Volts	A	Kw	Hz	FUSE	MAXIMUM TEMPERATURE
SAUNA	2 x 1.800W	230	16	3.6	50	1x20 A	100 °C
		400	8	3.6	50	3x16 A	



GRUPPO GEROMIN S.r.l.

Via I° Maggio n°5 (zona Industriale)
 30029 San Stino di Livenza VE
 Tel. +39 0421 312249 / +39 0421 312250
 http: www.gruppogeromin.com - email: info@gruppogeromin.com